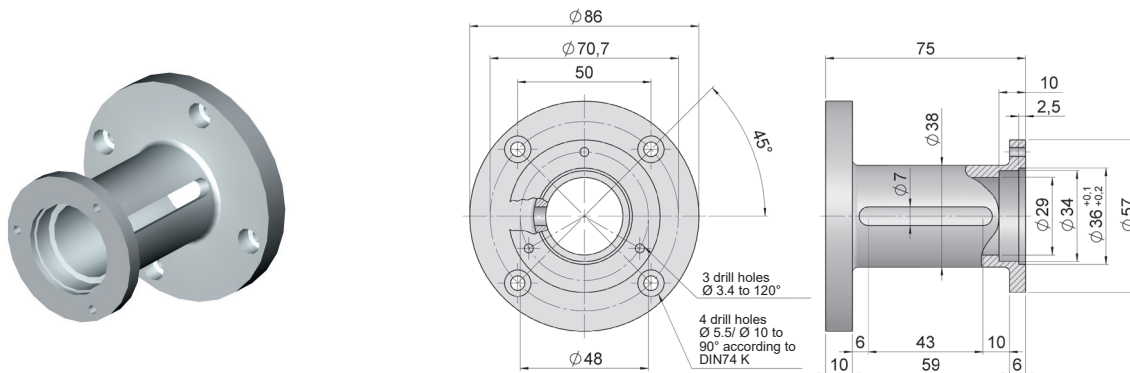


COUPLING BELLS

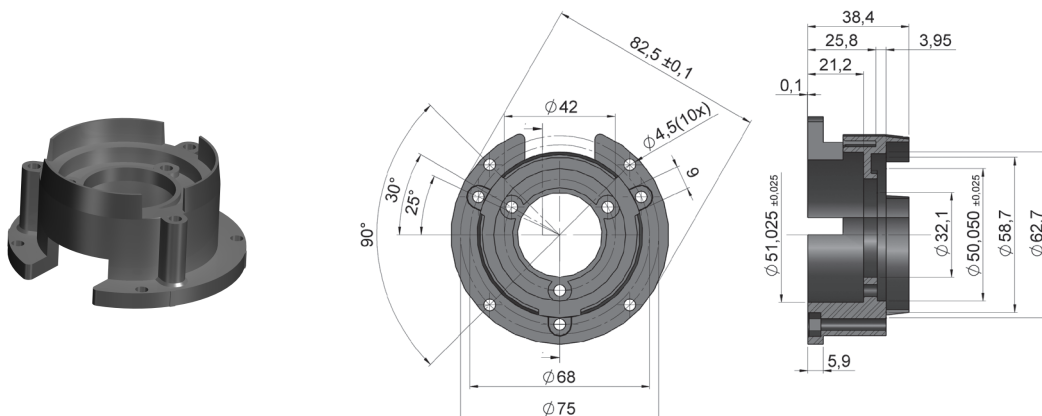


Code	Appropriate series	Suitable securing screws
90.1600	10, 20, 11, CM10, CS10	3 M3 x 6 DIN84, DIN85, DIN7985, DIN7984
90.1608	10, 20, 11, CM10, CS10	3 M3 x 8 DIN84, DIN85, DIN7985, DIN7984
90.1609	10, 20, 11, CM10, CS10	3 M3 x 6 DIN84, DIN85, DIN7985, DIN7984

90.1600



90.1608



COUPLING BELLS

90.1609

