

MEASURING WHEELS



TECHNICAL SPECIFICATIONS

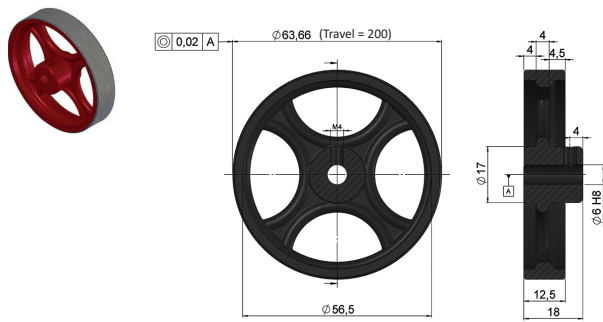
	Type	Travel <i>mm</i>	Diameter Ø D <i>mm</i>	Shaft* Ø d <i>mm</i>	Width B <i>mm</i>	M (DIN 916)
90.9101	Knurled aluminium	200	63,66	6	12	M4 x 6
90.9102	Knurled aluminium	305	97,08	10	12	M5 x 6
90.9103	Knurled aluminium	500	159,15	10	25	M5 x 6
90.9107	Smooth polyurethane	500	159,15	10	25	M5
90.9108	Smooth polyurethane	200	63,66	6	12	M4 x 6
90.9110	Knurled aluminium	200	63,66	6	12	M4 x 6
90.9111	Rubber	200	63,66	6	12	M4 x 6
90.9112	Studded polyurethane	200	63,66	6	12	M4 x 6
90.9113	Rubber	500	159,15	10	25	M5 x 6
90.9114	Corrugated polyurethane	500	159,15	10	25	M5
90.9115	Corrugated polyurethane	200	63,66	6	12	M4 x 6
90.9122	Smooth polyurethane	305	97,08	10	12	M5 x 6
90.9123	Studded polyurethane	305	97,08	10	12	M5 x 6
90.9124	Corrugated polyurethane	305	97,08	10	12	M5 x 6
90.9150	Studded polyurethane	500	159,15	10	25	M5
90.9175	Knurled aluminium	500	159,15	10	25	M5

(*) Other shaft diameter available. For example code for wheel 90.9113 with 6 mm shaft: 90.9113.6

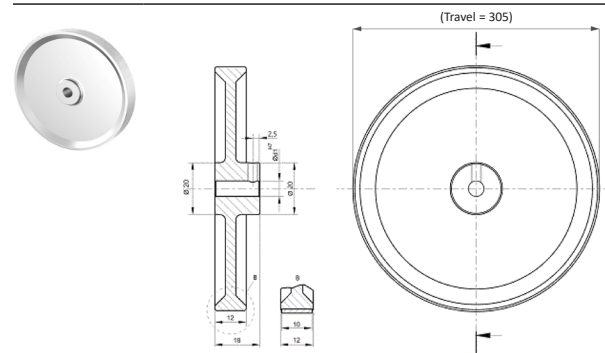


MEASURING WHEELS

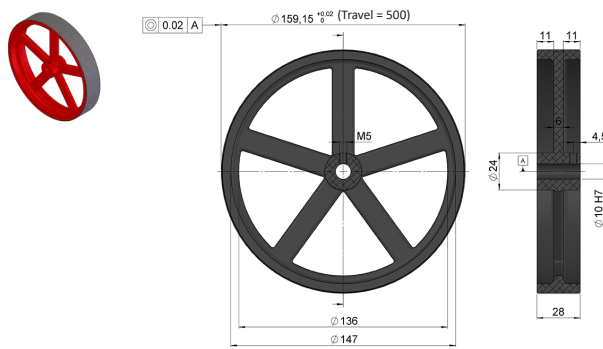
90.9101



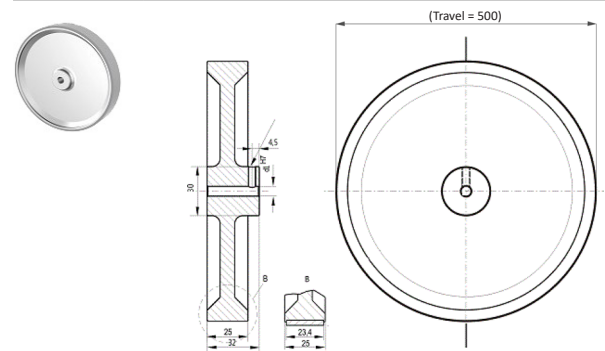
90.9102



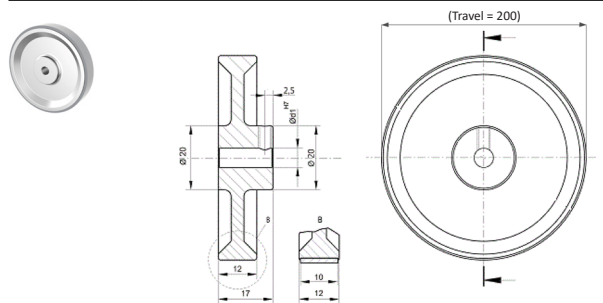
90.9103



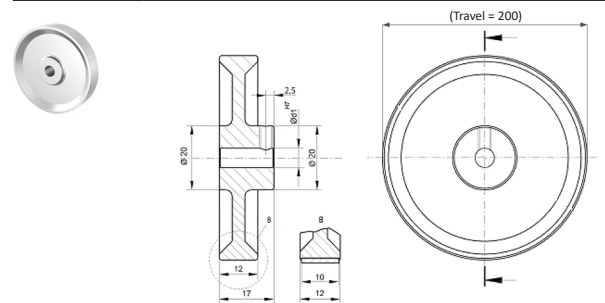
90.9107



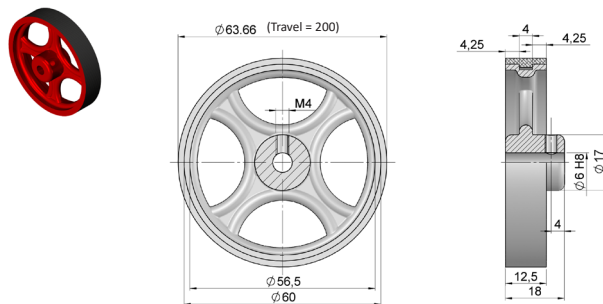
90.9108



90.9110



90.9111



90.9112

