

# SERIE POT20

## SOLID SHAFT ANGULAR SENSOR FOR INDUSTRIAL APPLICATIONS

- External diameter 58 mm
- Shaft  $\varnothing$  6,35 mm
- Protection class IP54 according to DIN EN 60529
- Measuring range 10 turns
- Output resistance 5k or 10k
- Connection by cable (other cable length available) or industrial connector
- Measuring system using accuracy potentiometer



Analog output



Resistance

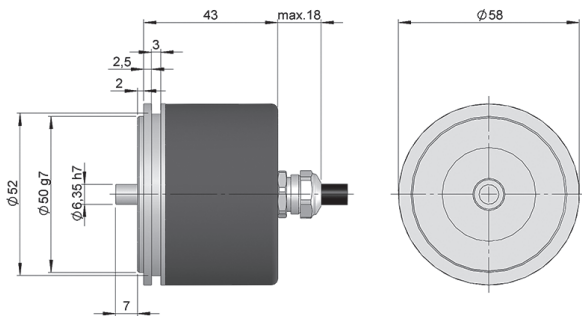


IP54



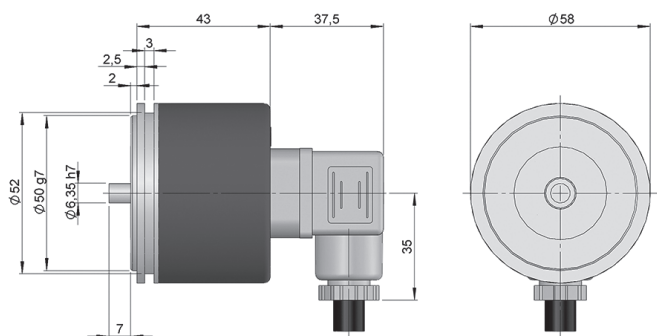
Express Delivery

### Axial cable



Drawing shaft type 1, connection type 1, without flange

### Connector Axial 4p



Drawing shaft type 1, connection type 2, without flange

### REFERENCE

Reference example: POT20-1112-3600

Serie	Shaft	Flange	Connection	Electronic output	Measuring range	Special customer
POT20 -	<input type="checkbox"/>	<input type="checkbox"/>	<input type="checkbox"/>	<input type="checkbox"/> -	<input type="checkbox"/> <input type="checkbox"/> <input type="checkbox"/> <input type="checkbox"/>	<input type="checkbox"/> <input type="checkbox"/>
	1. $\varnothing$ 6,35 mm	1. None	1. Axial cable 2. Axial 4p	1. 5 k $\Omega$ 2. 10 k $\Omega$	3600. 3600° (10 turns)	

Order your reference  
Step file 3D

[info@encoderhohner.com](mailto:info@encoderhohner.com)

service available in 24 h



# SERIE POT20

## SOLID SHAFT ANGULAR SENSOR FOR INDUSTRIAL APPLICATIONS

### MECHANICAL SPECIFICATIONS

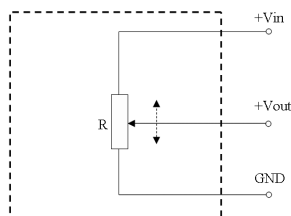
Materials	Cover: PA 6.6 Housing: Aluminium Shaft: Nickel plated brass
Bearings lifetime	1x10 <sup>6</sup> rev.
Maximum number of revolutions permitted mechanically	100 rpm
Protection against dust and splashes according to DIN EN 60529	IP54
Starting torque at 20°C (68°F)	≤ 0,01 Nm
Output	Resistive
Weight aprox.	0,4 Kg
Operating temperature range	-20°C to +85°C
Direction	Clockwise (CW)
Axial or radial connection	2 meters cable or industrial connector (other cable lengths available on order) Female connector not included

### ELECTRICAL SPECIFICATIONS

	5 kΩ 10 turns	10 kΩ 10 turns
Reference code	1	2
Voltage supply	30 VDC max	30 VDC max
Output tolerance	± 5%	± 5%
Resolution	± 0,025%	± 0,02%
Thermal coefficientt	± 50ppm/C°	± 50ppm/C°
Load	1w max	1w max
Linearity	± 0,25%	± 0,25%

### OUTPUT SIGNALS

#### Resistive



### CONNECTION

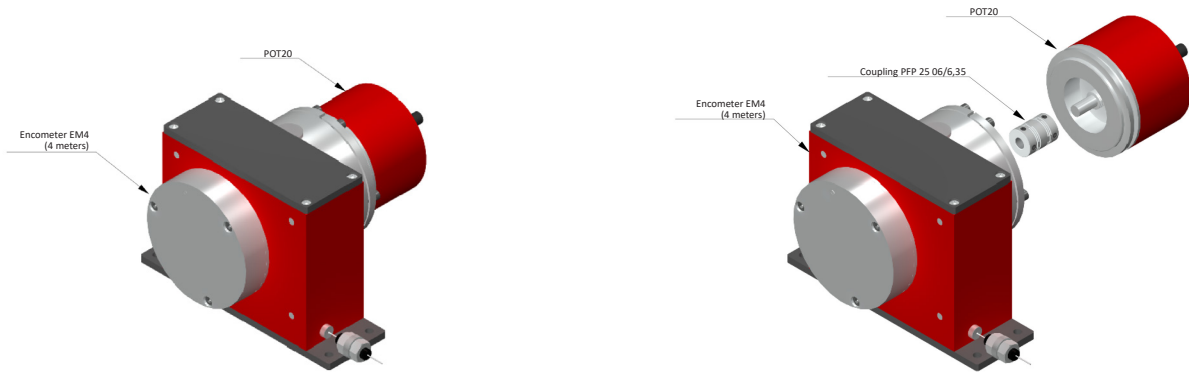


Resistive	Cable 5x0,14 95.0008051	Connector DIN 43650 4p
GND	Yellow	1
Vin	White	2
Vout	Brown	3

# SERIE POT20

## SOLID SHAFT ANGULAR SENSOR FOR INDUSTRIAL APPLICATIONS

### ACCESSORIES EXAMPLES



All the accessories available in the section "MOUNTING ACCESSORIES".