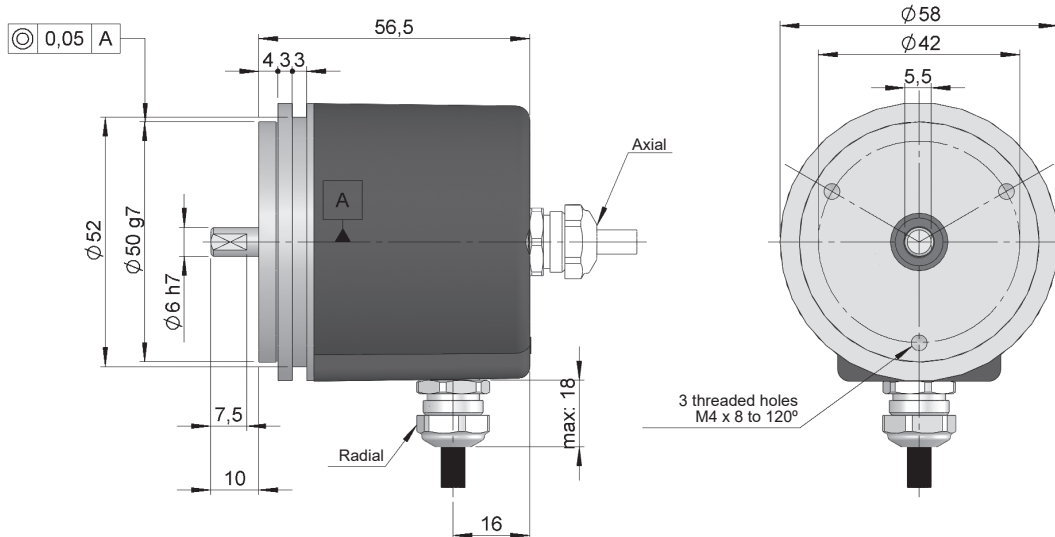




SERIE 58

HIGH RESOLUTION INCREMENTAL SOLID SHAFT ENCODER FOR INDUSTRIAL APPLICATIONS

- Resolution up to 50.000 pulses per turn
- External diameter 58 mm
- Shaft \varnothing 6 mm
- Fixation through synchro flange
- Protection class IP67 according to DIN EN 60529
- Connection by cable (other cable length available) or industrial connector M12 or M23



Drawing shaft type 1, connection type 1/2, without flange

REFERENCE

Reference example: 58-11111-1024

Serie	Shaft	Flange	Output signals	Connection	Power Supply / Electronic output	Pulses number	Special customer
58/58A	<input type="checkbox"/>	<input type="checkbox"/>	<input type="checkbox"/>	<input type="checkbox"/>	<input type="checkbox"/> -	<input type="checkbox"/> <input type="checkbox"/> <input type="checkbox"/> <input type="checkbox"/> <input type="checkbox"/> <input type="checkbox"/>	<input type="checkbox"/> <input type="checkbox"/> <input type="checkbox"/> <input type="checkbox"/> <input type="checkbox"/> <input type="checkbox"/>
58. IP65 58A. IP67 (**)	1. \varnothing 6x10 mm	1. None	1. A \tilde +B \tilde +0 \tilde 2. A \tilde +B \tilde 3. A+B	1. Axial cable 2. Radial cable 3. Axial M23 12p CW 4. Radial M23 12p CW 5. Axial M12 8p CCW 6. Radial M12 8p CCW	0. 11...30 VDC / NPN Open collector 11...30 VDC 1. 11...30 VDC / Line driver differential Push-Pull 11...30 VDC 2. 5 VDC / RS422 5 VDC (compatible TTL) 6. 11...30 VDC / RS422 5 VDC (compatible TTL)	(*)	BT00. -40°C

Order your reference
Step file 3D

info@encoderhohner.com
service available in 24 h

(*) 10.000 to 50.000 pulses with interpolation. Available 10.000 direct optical pulses without interpolating upon request.

(**) The option 58A is only available with cable connection output (1/2) or connection type (5/6).



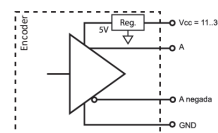
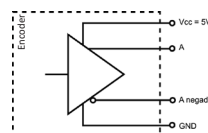
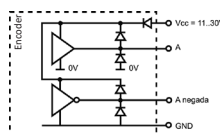
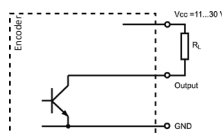
SERIE 58

HIGH RESOLUTION INCREMENTAL SOLID SHAFT ENCODER FOR INDUSTRIAL APPLICATIONS

MECHANICAL SPECIFICATIONS

Materials	Cover: Aluminium Housing: Aluminium Shaft: Stainless Steel
Bearings	Ballraces
Bearings lifetime	1x10 ¹⁰ rev.
Maximum number of revolutions permitted mechanically	6000 rpm
Protection against dust and splashes according to DIN EN 60529	IP65 - Standard IP67 - Option 58A
Rotor inertia moment	30 gcm ² (58) 40 gcm ² (58A)
Starting torque at 20°C (68°F)	≤ 0,02 Nm (58) ≤ 0,04 Nm (58A)
Maximum load permitted on axial shaft	40 N
Maximum load permitted on radial shaft	60 N
Weight aprox.	0,5 Kg
Operating temperature range	-20°C to +80°C - Standard -40°C to +80°C - Special Customer BT00
Vibration according to DIN EN 60068-2-6	100 m/s ² (10Hz...2000Hz)
Shock according to DIN EN 60068-2-27	1000 m/s ² (6ms)
Maximum pulses per turn	50.000
Axial or radial connection	2 meters cable or industrial connector M12 or M23 (other cable lengths available on order) Female connector not included

OUTPUT SIGNALS



OUTPUT CIRCUIT	NPN Open Collector	Push-Pull Differential	RS422 (TTL compatible)	RS422 (TTL compatible)
Reference code	0	1	2	6
Power supply	11...30 VDC	11...30 VDC	5 VDC ±5%	11...30 VDC
Output voltage	11...30 VDC	11...30 VDC	5 VDC	5 VDC
Consumption	40 mA	Typical: 45 mA Max: 150 mA	Typical: 70 mA Max: 150 mA	Typical: 80 mA Max: 160 mA
Max. load capability / channel	40 mA	±30 mA	±20 mA	±20 mA
Length of cable allowed	50 m (24 VDC)	100 m	1200 m	1200 m
"Low" signal level	VOL < 0.4 VDC (24 VDC)	VOL < 2.5 VDC	VOL < 0.5 VDC	VOL < 0.5 VDC
"High" signal level	VOH > 22 VDC (24 VDC)	VOH > VCC - 3 VDC	VOH > 2.5 VDC	VOH > 2.5 VDC
Frequency	100 kHz	200 kHz	300 kHz	300 kHz
Short circuit protection	Not permanent	Yes	Yes	Yes
Protection polarity inversion	Yes	Yes	No	Yes

Channel B leads (90° electric) channel A, view from the shaft, shaft rotating clockwise

SERIE 58

HIGH RESOLUTION INCREMENTAL SOLID SHAFT ENCODER FOR INDUSTRIAL APPLICATIONS

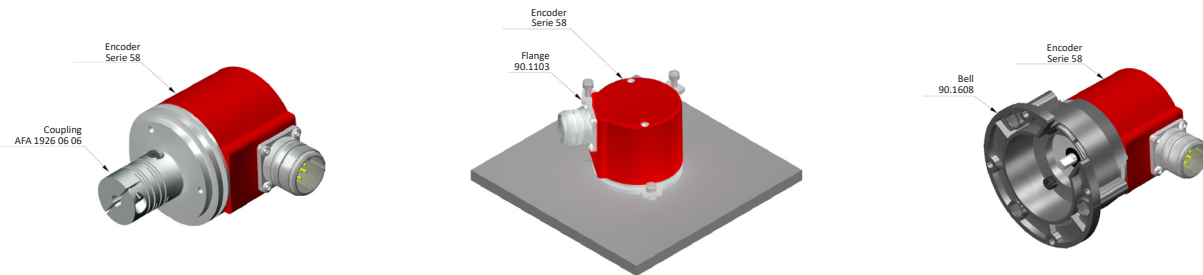
CONNECTION



	Cable 2x2x0,14+1x0,14 95.0008002	Cable (*) 3x2x0,14+2x0,34 95.0008003	Connector M12 8p CCW	Connector M23 12p CW
GND	Yellow	Black	1	1
VCC	White	Red	2	2
A	Brown	Yellow	3	3
B	Green	Green	4	4
\tilde{A}		Brown	5	5
\tilde{B}		Blue	6	6
0 (reference)	Grey	Grey	7	7
$\tilde{0}$	Grey	Orange	8	8

(*) Cable 3x2x0,14+2x0,34 only for encoders with inverted signals.

ACCESSORIES EXAMPLES



All the accessories available in the section "MOUNTING ACCESSORIES".

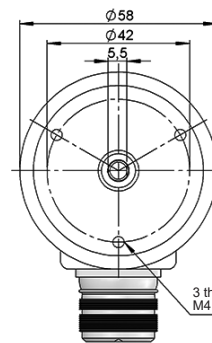
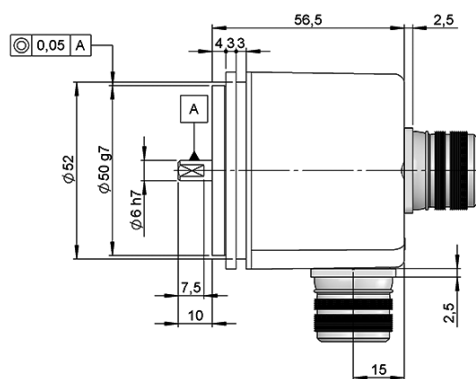
CONNECTION DIMENSIONS

Female connector not included

Connection 3
Axial

Connection 4
Radial

M23 12p
male panel
clockwise



Female connector
95.0007131

