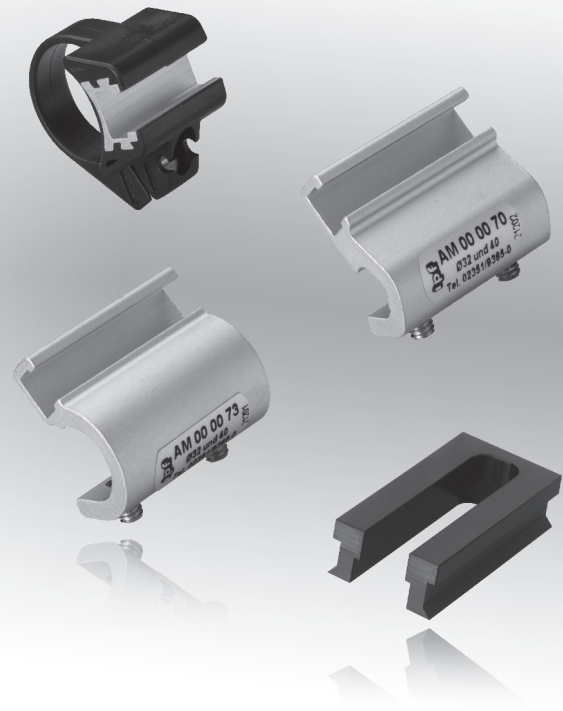


design

Ø8 to Ø63mm  
 Ø32 to Ø40mm  
 Ø50 to Ø63mm  
 Ø80 to Ø100mm

round cylinder  
 dovetailed cylinder  
 pull-rod cylinder  
 profiled cylinder



- ✓ robust metal housing
- ✓ high locking power
- ✓ quick mounting

**for mounting of MZ07  
 on all current cylinders**

**description**

For many tasks in automation technology, it is necessary to recognize the movements in pneumatic cylinders and detect the position of the piston exactly. The magnetic cylinder sensors are inserted for detecting the position of the piston in pneumatic cylinders. Through a mode of operation which is absolutely free from wear and tear, it ensures the highest levels of operational security and reliability. For this, *ipf electronic* offers various mounting options for magnetic cylinder sensors so that all leading manufacturer's cylinders can be accommodated.

Via mounting clips **AM000036** to **AM000046**, the sensors MZ07 are fastened to round cylinders. Furthermore there is the option of fastening the sensors by means of the clamps **AM000036** to dovetailed cylinders, **AM000070** to **AM000072** to pull-rod cylinders and **AM000073** to **AM000075** to profiled cylinders.

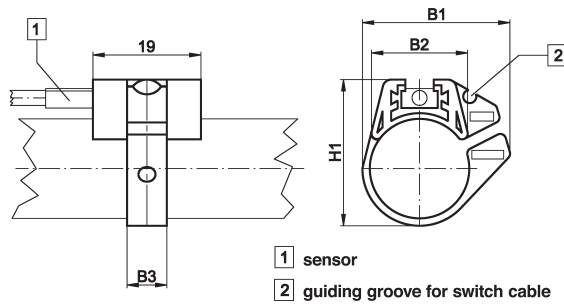
**application examples**

- ▶ detecting the position of a cylinder piston
- ▶ limit of travel enquiry

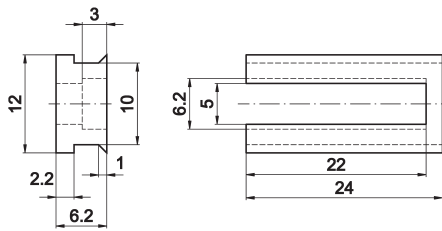
article-no.	AM000037	AM000038	AM000039	AM000040	AM000041
piston diameter round cylinder	Ø8mm	Ø10mm	Ø12mm	Ø16mm	Ø20mm
B1	18.9	20.4	22.7	26.1	33.2
B2	9	11	13	17.1	20.8
B3	7	7	7	7	9
H1	18.3	19.9	21.9	25.7	30.4
housing material	plastic	plastic	plastic	plastic	plastic

article-no.	AM000042	AM000043	AM000044	AM000045	AM000046
piston diameter round cylinder	Ø25mm	Ø32mm	Ø40mm	Ø50mm	Ø63mm
B4	36.5	41.7	48.3	60.6	74.5
B5	26.1	33.4	41.4	52.1	64.2
B6	9	9	9	9	9
H2	35.6	42.7	50.7	61.5	74.5
housing material	plastic	plastic	plastic	plastic	plastic



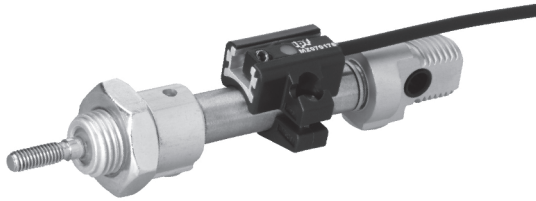
article-no.	AM000036
width dovetailed groove	12mm
housing material	aluminium



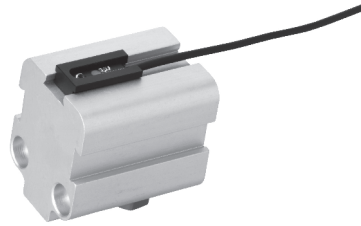
<p>article-no. piston diameter pull-rod cylinder housing material</p>	<p><b>AM000070</b> Ø32 ... 40mm aluminium</p>	<p><b>AM000071</b> Ø50 ... 63mm aluminium</p>	<p><b>AM000072</b> Ø80 ... 100mm aluminium</p>
<p>article-no. piston diameter profiled cylinder housing material</p>	<p><b>AM000073</b> Ø32 ... 40mm aluminium</p>	<p><b>AM000074</b> Ø50 ... 63mm aluminium</p>	<p><b>AM000075</b> Ø80 ... 100mm aluminium</p>

### mounting example

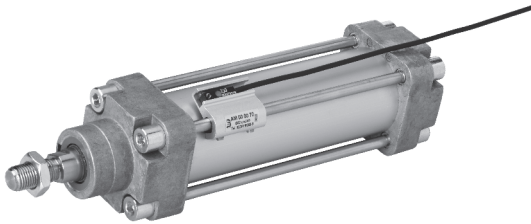
round cylinder



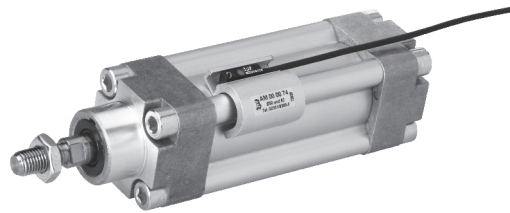
dovetailed cylinder



pull-rod cylinder



profiled cylinder



### sample case



Sample case **AM000089** contains the same accessory as **AM000090**, but with the magnetic cylinder sensors **MZ070173** and **MZ070176**.

### AM000090

article-no.	description
<b>AM000036</b>	adaptation MZ07 to dovetail
<b>AM000037</b>	for cylinder Ø8
<b>AM000038</b>	for cylinder Ø10
<b>AM000039</b>	for cylinder Ø12
<b>AM000040</b>	for cylinder Ø16
<b>AM000041</b>	for cylinder Ø20
<b>AM000042</b>	for cylinder Ø25
<b>AM000043</b>	for cylinder Ø32
<b>AM000044</b>	for cylinder Ø40
<b>AM000045</b>	for cylinder Ø50
<b>AM000046</b>	for cylinder Ø63
<b>AM000070</b>	for pull-rod cylinder Ø32 and 40
<b>AM000071</b>	for pull-rod cylinder Ø50 and 63
<b>AM000072</b>	for pull-rod cylinder Ø80 and 100
<b>AM000073</b>	for profiled cylinder Ø32 and 40
<b>AM000074</b>	for profiled cylinder Ø50 and 63
<b>AM000075</b>	for profiled cylinder Ø80 and 100
<b>VK003574</b>	straight, cut & clamp connection, 3-pin
<b>MZ070174</b>	10 ... 30V DC, 200mA
<b>MZ070175</b>	10 ... 30V DC, 200mA

**Warning:** Never use these devices in applications where the safety of a person depends on their functionality!