

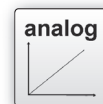
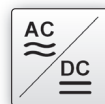
design 96 x 48 x 141mm

analog / digital



- ✓ analog inputs  $\pm 10V$  DC, 0/4 to 20mA
- ✓ separate configuration for both inputs
- ✓ different operational modes (A+B, A-B, A·B, A:B, single, dual)
- ✓ 6 digit LED display, 15mm high
- ✓ free scalable display and floating zero
- ✓ adjustable averaging
- ✓ optocoupler switching outputs
- ✓ screw terminals

**digital and analog outputs  
2 limit value parameters**



#### description

Programmable measuring transducers are used for processing analog signals. Through appropriate programming, you can adjust the devices to your specific needs.

There are two analog inputs available as well as a scalable display, programmable measurement functions and various individually adjustable outputs.

For many applications, two independent inputs are necessary. These can be processed and displayed individually or in combination.

Likewise, time and time again, it is necessary to evaluate and show non-linear analog signals in a way which is sufficiently precise. This requires a programmable linearization func-

tion. Devices in the **BA05** series fulfill all of these requirements.

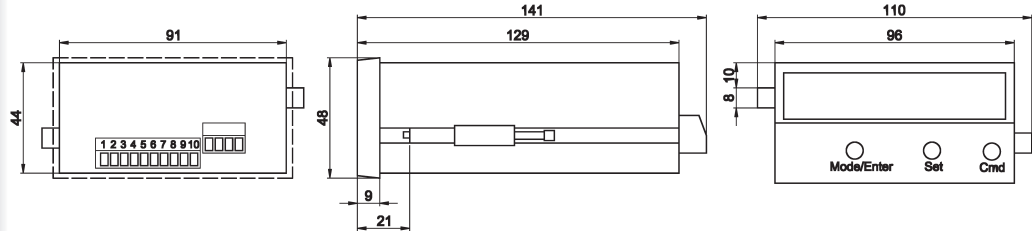
The **BA054905** additionally has a scalable analog output and the **BA054900** has 2 limit value parameters with transistor switching outputs.

All other device functions within this family are largely identical.

#### application examples

- ▶ difference measurement
- ▶ two-step controls

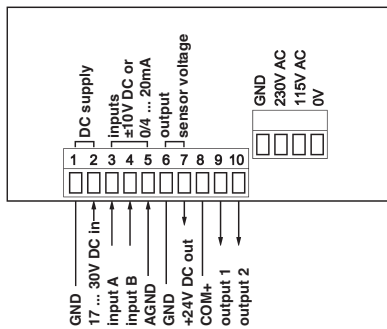
article-no.	BA054900	BA054905
output signal	2 x PNP, max. 30V / 150mA	0/4 ... 20mA / ±10V DC



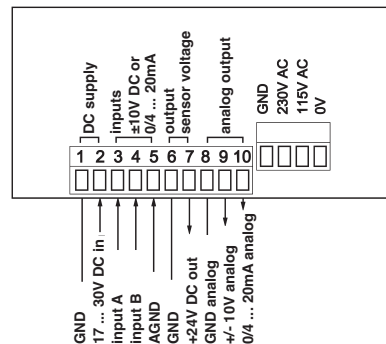
### TECHNICAL DATA

output signal	2 x PNP, max. 30V DC	0/4 ... 20mA / ±10V DC
operating voltage	115 / 230V AC; 18 ... 30V DC	115 / 230V AC; 18 ... 30V DC
current consumption (w/o load)	AC: 7.5VA / 18V DC: 110mA, 24V DC: 90mA	AC: 7.5VA / 18V DC: 110mA, 24V DC: 90mA
output current (max.load)	150mA	-
power supply	24V DC ±15%, 100mA (AC and DC)	24V DC ±15%, 100mA (AC and DC)
input	2 x analog (±0 ... 10V DC, 0/4 ... 20mA)	2 x analog (±0 ... 10V DC, 0/4 ... 20mA)
input resistance	current: Ri=100Ω, voltage: Ri=30kΩ	current: Ri=100Ω, voltage: Ri=30kΩ
accuracy	±0.1%, ±1 digit	±0.1%, ±1 digit
resolution	14 Bit	14 Bit
display	6 decades LED	6 decades LED
short-circuit protection	+	+
reverse polarity protection	+	+
housing material	noryl UL94	noryl UL94
design	48x96x141mm	48x96x141mm
operating temperature	0 ... +45°C	0 ... +45°C
system of protection (EN 60529)	front side IP65, back side IP20	front side IP65, back side IP20
connection	terminals	terminals

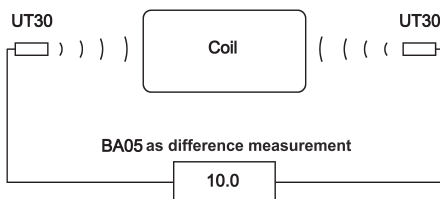
### connection BA054900



### connection BA054905



### application example



This data sheet contains the standard versions only. Kindly request the availability of other output- and connection functions.

**Warning:** Never use these devices in applications where the safety of a person depends on their functionality.