

floor mountings  
 protective housings  
 tilted mirrors  
 mounting brackets  
 muting lamps  
 cable sockets  
 test bars  
 laser pointers



for OY35 safety light curtains  
simple installation and setup

#### description

The program of accessories for safety light curtains from the **OY35** range offers a comprehensive list of accessory parts for the installation and usage of safety equipment for plants and machines.

The tilted mirrors, which can be used for securing several sides of a machine, are available in various heights from 156 to 1.804mm.

The holders for the floor mounting of safety light curtains are offered in heights from 800 to 1.800mm.

The protective housings offer protection against impacts and are available in various heights from 273 to 1.743mm. The laser pointer is a valuable aid when lining up and installing safety light curtains from the **OY35** range, particularly

in applications where there are large operating distances and where it is planned to use tilted mirrors. The pointer can be moved along the light curtain section to check the complete alignment of the transmitter and receiver rail.

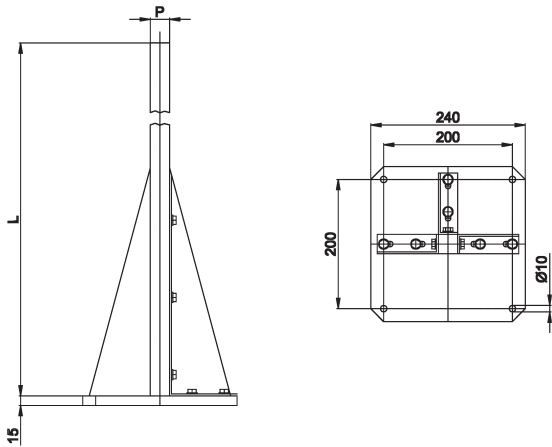
The screened cable sockets are available both straight and angular.

Adjustable or vibration-reducing holders, mounting brackets, muting lamps and test bars complete the offering.

#### application examples

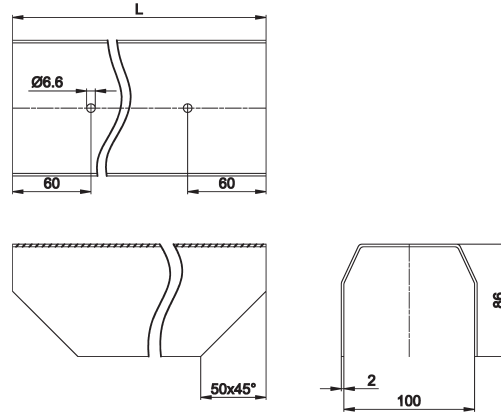
- ▶ range of accessories for safety light curtains
- ▶ mounting, protecting and signaling
- ▶ connecting, testing and aligning

### floor mounting



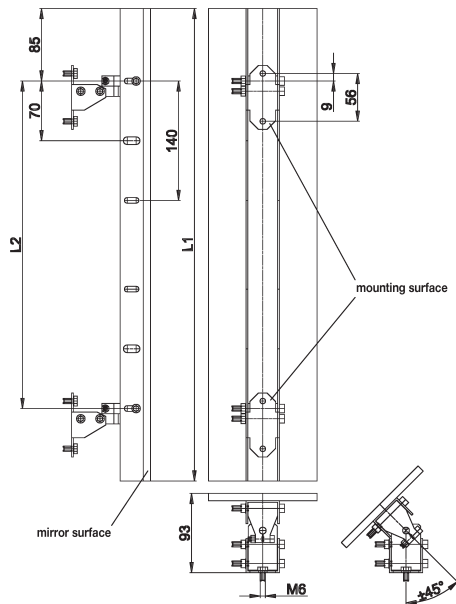
article-no.	L [mm]	P [mm]
AO000101	800	30 x 30
AO000102	1000	30 x 30
AO000103	1200	30 x 30
AO000104	1500	34.5 x 45
AO000105	1800	34.5 x 45

### protective housing



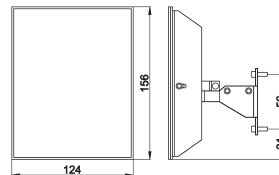
article-no.	L [mm]	for security light curtains
AO000126	273	OY350100 / OY350130
AO000127	420	OY350101 / OY350131
AO000128	567	OY350102 / OY350132
AO000129	714	OY350103 / OY350133 / OY350110
AO000130	861	OY350104 / OY350134
AO000131	969	OY350111
AO000132	1069	OY350105 / OY350135 / OY350112
AO000133	1155	OY350106
AO000134	1369	OY350107
AO000135	1449	OY350108 / OY350113
AO000136	1596	OY350109
AO000137	1743	OY35010A

### tilted mirror

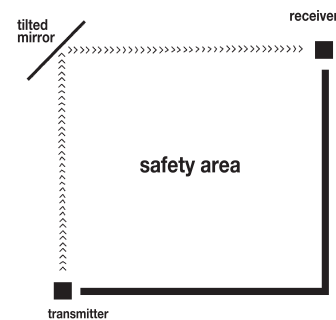


article-no.	L1 [mm]	L2 [mm]
AO000111	554	384
AO000112	704	534
AO000113	904	734
AO000114	1004	834
AO000115	1264	1094
AO000116	1604	1434
AO000117	1804	1634

### tilted mirror



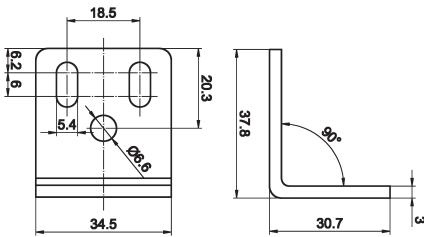
### example setup beam deflection



article-no.	width [mm]	height [mm]
AO000118	124	156



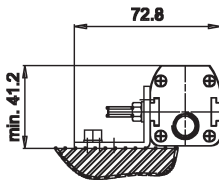
mounting bracket (included in the scope of delivery of the light curtains)



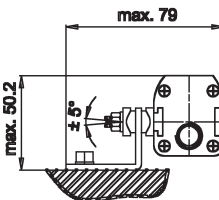
article-no.	description
AO000106	4-part kit - mounting brackets and mounting for OY35-groove (groove plate with 2x M5 thread rods)
AO000107	vibration-reducing holders (4-part kit)
AO000108	vibration-reducing holders (6-part kit)
AO000109	adjustable holders (4-part kit)
AO000110	adjustable holders (6-part kit)

mounting option "A"

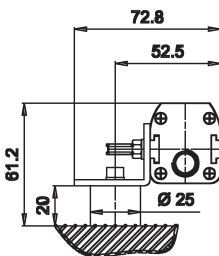
mounting bracket



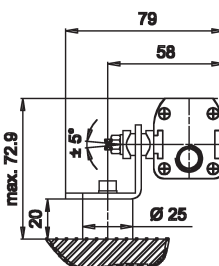
mounting bracket + adjustable holder



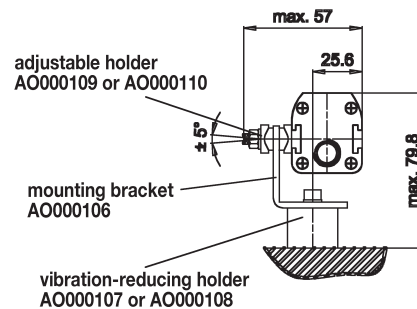
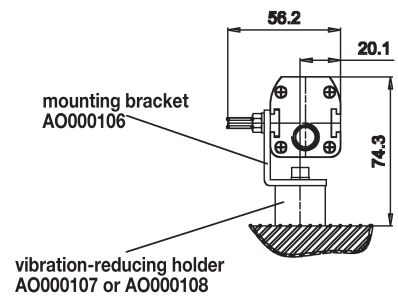
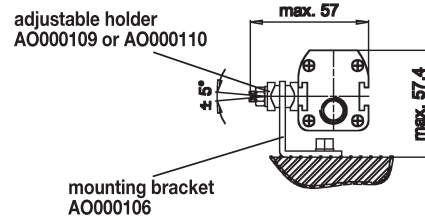
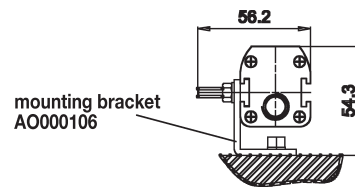
mounting bracket + vibration-reducing holder



mounting bracket + adjustable holder + vibration-reducing holder

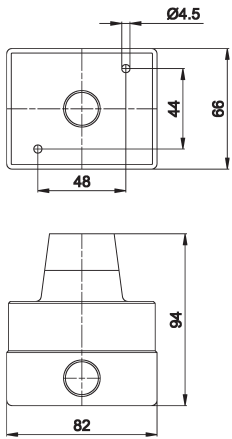


mounting option "B"

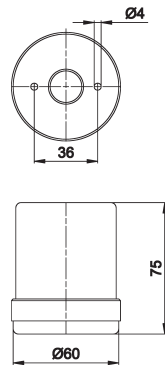


muting lamps

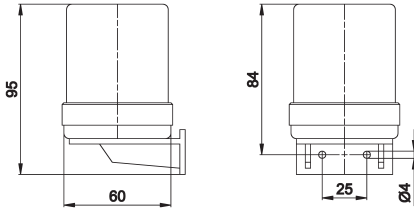
AO000119



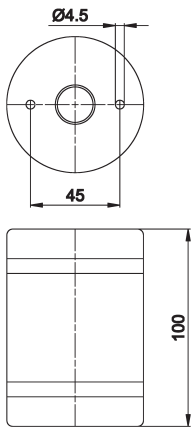
AO000121



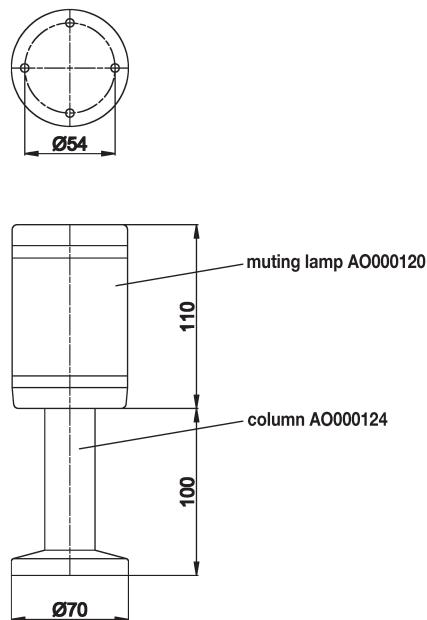
AO000122



AO000123 + AO000120



AO000124 + AO000120



article-no.	description
AO000119	muting lamp
AO000120	modular muting lamp
AO000121	muting lamp / horizontal mounting
AO000122	muting lamp / vertical mounting
AO000123	base module for <b>AO000120</b>
AO000124	column module for <b>AO000120</b>

article-no.	VK205321	VK205325	VK205A21	VK205A25
length	2m	2m	2m	2m
article-no.	VK505321	VK505325	VK505A21	VK505A25
length	5m	5m	5m	5m
article-no.	VKA05321	VKA05325	VKA05A21	VKA05A25
length	10m	10m	10m	10m
<b>TECHNICAL DATA</b>				
cable socket suitable for <b>OY35</b>	M12, angular transmitter unit	M12, straight transmitter unit	M12, angular receiver unit	M12, straight receiver unit
voltage (U <sub>N</sub> )	240V DC / AC <sub>eff</sub>	240V DC / AC <sub>eff</sub>	30V DC / AC <sub>eff</sub>	30V DC / AC <sub>eff</sub>
number of pins	4-pin	4-pin	8-pin	8-pin
wire diameter	0.34mm <sup>2</sup>	0.34mm <sup>2</sup>	0.25mm <sup>2</sup>	0.25mm <sup>2</sup>
outer jacket material	PUR	PUR	PUR	PUR
operating temperature	-25 ... +80°C	-25 ... +80°C	-25 ... +80°C	-25 ... +80°C
system of protection (EN 60529)	IP67	IP67	IP67	IP67
contact-no. / wire color	1/brown 2/white 3/blue 4/black	1/brown 2/white 3/blue 4/black	1/white 2/brown 3/green 4/yellow 5/grey 6/pink 7/blue 8/red	1/white 2/brown 3/green 4/yellow 5/grey 6/pink 7/blue 8/red

**test bar** hand and finger protection (included in the scope of delivery)



article-no.	description
AO000138	test bar, length 300mm, Ø14mm (for finger protection safety light curtains)
AO000139	test bar, length 300mm, Ø30mm (for hand protection safety light curtains)

**laser pointer**



article-no.	description
AO000141	alignment mark for safety light curtains OY35