

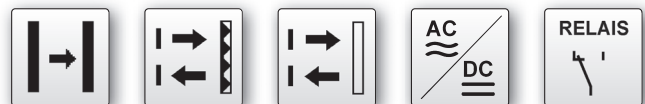
dimensions **18 x 50 x 50mm**

through-beam sensor	operating range	up to 20m
retro-reflective sensor	operating range	up to 5m
dif. reflection sensor	sensing range	up to 2m



- ✓ **robust plastic housing**
- ✓ **high degree of protection IP65**
- ✓ **sensitivity adjustable by potentiometer**
- ✓ **status display by LED**
- ✓ **programmable normally open or normally closed function**
- ✓ **high sensing ranges**
- ✓ **connection with cable**

**univ. power supply with relay output
retro-refl. sensor with pol. filter**



description

Optoelectronic sensors are indispensable components in all automated production processes. They are used in all applications where parts are to be detected, counted, measured or positioned in a way which does not involve contact and which is reliable and fast. These optoelectronic proximity switches are robust devices with the latest electronics in a compact plastic housing. They are used as limit switches, position switches and pulse generators on automatic machines / production sequences, often in conjunction with a PLC. They detect objects made of metal, glass, plastic (films), wood, paper etc. without the need for contact.

The multi-voltage devices are to be operated with a voltage from 15 to 264V AC/DC. All devices have a relay output and should be connected using a fixed cable. The retro-reflective sensor works using a polarizing filter.

application examples

- ▶ checking the presence of various objects
- ▶ avoiding collision, in the case of feed movements
- ▶ control of object and stack heights
- ▶ limit switches, position switches and pulse generators

article-no.	OE505800	OS505000
version	receiver / through-beam sensor	transmitter / through-beam sensor
operating range	20m	-
TECHNICAL DATA		
operating range	20m	-
output signal	relay, no / nc	-
operating voltage	15 ... 264V AC/DC	15 ... 264V AC/DC
current consumption (w/o load)	≤ 40mA	≤ 40mA
output current (max. load)	3A, ohmic load at 250V AC	-
transmitting element (pulsed)	-	LED, infrared light
wavelength	-	880nm
response/decay time	30ms/-	-
sampling frequency	16Hz	-
display (signal)	red LED	-
sensitivity adjustment	potentiometer, 270°	-
short-circuit protection	-	-
reverse polarity protection	+	+
dimensions	18x50x50mm	18x50x50mm
housing material	plastic ABS	plastic ABS
lens material	plastic PMMA	plastic PMMA
operating temperature	-25 ... +55°C	-25 ... +55°C
degree of protection (EN 60529)	IP65	IP65
connection	2m PVC-cable, 5-wire	2m PVC-cable, 2-wire
mounting accessories (enclosed)	AO000057	AO000057

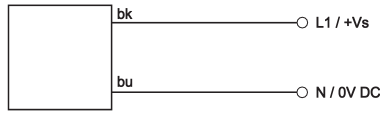
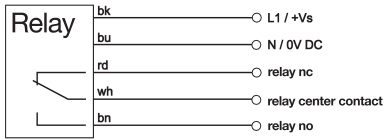
through-beam sensor, retro-reflective sensor, dif. reflection sensor 2400

article-no.	OR505800	OT505800
version	retro-reflective sensor with polarizing filter	diffuse reflection sensor
operating range / sensing range	5m	0.9m
article-no.	-	OT505801
version	-	diffuse reflection sensor
sensing range / operating range	-	2m
TECHNICAL DATA		
operating range / sensing range	5.0m	see above
output signal	relay, no / nc	relay, no / nc
operating voltage	15 ... 264V AC/DC	15 ... 264V AC/DC
current consumption (w/o load)	≤ 40mA	≤ 40mA
output current (max. load)	3A, ohmic load at 250V AC	3A, ohmic load at 250V AC
transmitting element (pulsed)	LED, infrared light	LED, infrared light
wavelength	880nm	880nm
response/decay time	30ms/-	30ms/-
sampling frequency	16Hz	16Hz
display (signal)	red LED	red LED
sensitivity adjustment	potentiometer, 270°	potentiometer, 270°
short-circuit protection	-	-
reverse polarity protection	+	+
dimensions	18x50x50mm	18x50x50mm
housing material	plastic ABS	plastic ABS
lens material	plastic PMMA	plastic PMMA
operating temperature	-25 ... +55°C	-25 ... +55°C
degree of protection (EN 60529)	IP65	IP65
connection	2m PVC-cable, 5-wire	2m PVC-cable, 5-wire
mounting accessories (enclosed)	A000057	A000057

connection

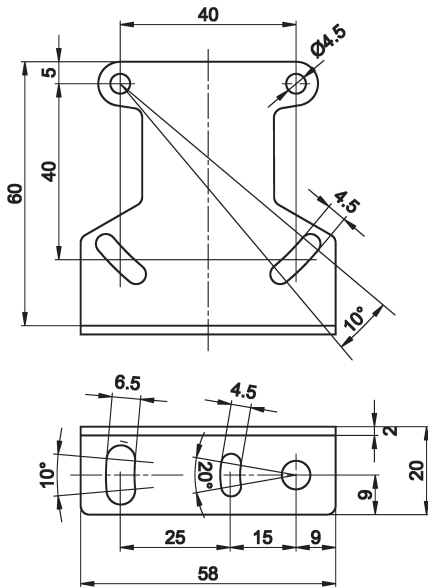
cable device receiver, retro-reflective sensor, dif. reflection sensor

cable device transmitter



wire colors: bu = blue, bk = black, br = brown, wh = white, rd = red

mounting accessories AO000057



This data sheet contains the standard versions only. Kindly request the availability of other output- and connection functions.

Warning: Never use these devices in applications where the safety of a person depends on their functionality.

This data sheet as well as your personal contact can be found at www.ipf-electronic.com

