

SM910020

Flow sensors • Water consumption measurement

Flow sensor, water, magnetic-inductive, 72x68x68mm, G 3/4", 19-30V DC, push/pull programmable/configurable, 0/2-10V / 0/4-20mA, M12-connector 4pin, stainless steel 1.4404, pressure resistance 16bar, 0,1-25l/min



If an electrically conductive liquid moves across a magnetic field, a voltage is generated vertically to this magnetic field which is dependent on the flow velocity. This voltage is measured by electrodes located in the wall of the measuring tube. Micro-controllers evaluate this voltage, calculate the flow rate and show it on the display. An analog signal and a transistor switching output are available for further processing.

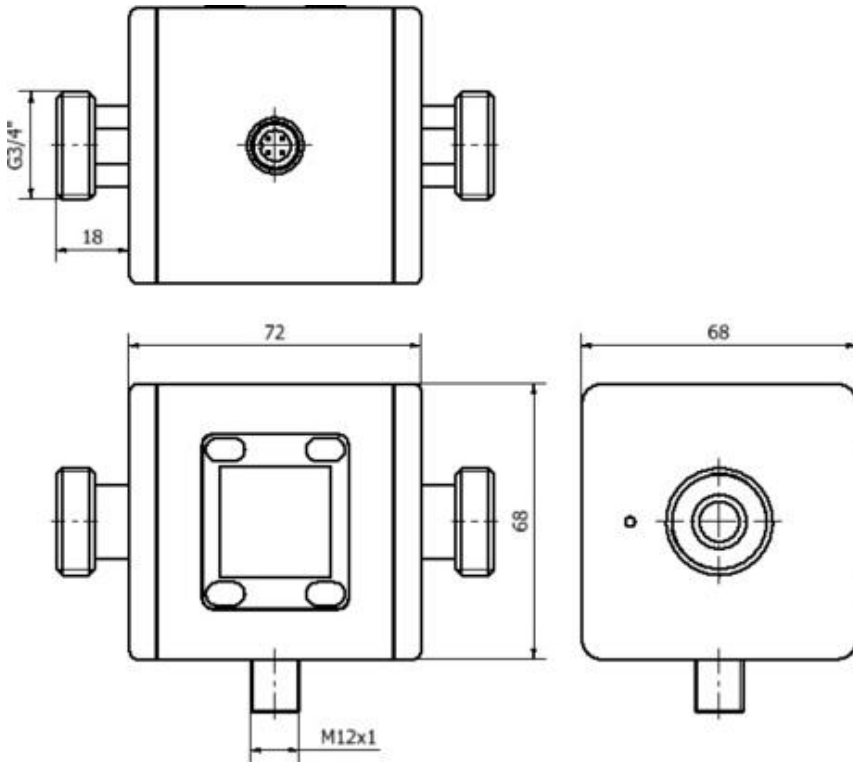
Classification

ETIM 8	EC002580 Flow monitoring device
eClass 7.0	27371815
eClass 7.1	27371815
eClass 8.0	27371815
eClass 9.0	27371815
eClass 9.1	27371815

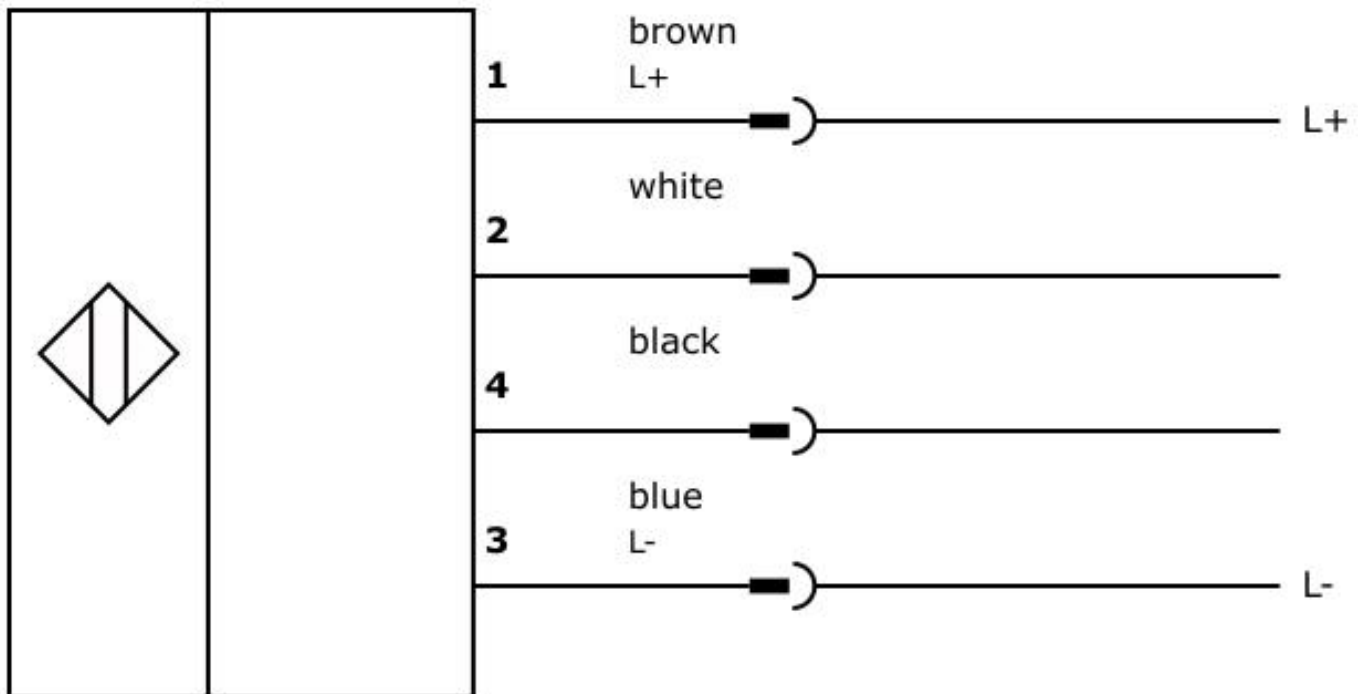
More

IPF Product Group	300 flow sensors
packaging dimensions	210 x 138 x 95 mm
gross weight	1223 g
Customs tariff number	90261021
WEEE number	40951076

Dimensional drawing



Connection



Installation



Mounting / installation may only be carried out by a qualified electrician!

Disposal



Safety warnings

Before initial operation, please make sure to follow all safety instructions that may be provided in the product information.

Never use these devices in applications where the safety of a person depends on their functionality.

For suitable connection and mounting accessories, please refer to our website www.ipf-electronic.com.